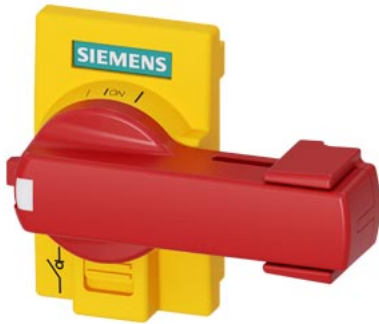


Accessory for 3KD size 1 Direct operating mechanism, for front operating mechanism, red/yellow, Flat version can be locked in OFF position with one padlock



Model	
product brand name	SENTRON
product designation	Accessories for switch disconnectors
design of the product	Direct operating mechanism DIN43880
type of the driving mechanism	MANUAL OPERATING MECHANISM
protection class IP on the front	IP30
Suitability	
suitability for use	For 3KD, size 1
Appearance	
color of the actuating element	Red/Yellow
display version for switch position indicator	ON-OFF-TEST
Mechanical Design	
height	45 mm
width	57 mm
depth	27.5 mm
net weight	229 g
General Product Approval	
Declaration of Conformity	
Marine / Shipping	

[Confirmation](#)

[Miscellaneous](#)



other	Environment
-------	-------------

[Confirmation](#)

[Miscellaneous](#)

[Environmental Confirmations](#)

Further information

Siemens has decided to exit the Russian market (see here).

<https://press.siemens.com/global/en/pressrelease/siemens-wind-down-russian-business>

Siemens is working on the renewal of the current EAC certificates.

Please contact your local Siemens office on the status of validity of the EAC certification if you intend to import or offer to supply these products to an EAC relevant market (other than the sanctioned EAEU member states Russia or Belarus).

Information on the packaging

<https://support.industry.siemens.com/cs/ww/en/view/109813875>

Information- and Downloadcenter (Catalogs, Brochures,...)

<http://www.siemens.com/lowvoltage/catalogs>

Industry Mall (Online ordering system)

<https://mall.industry.siemens.com/mall/en/en/Catalog/product?mlfb=3KD9101-8>

Service&Support (Manuals, Certificates, Characteristics, FAQs,...)

<https://support.industry.siemens.com/cs/ww/en/ps/3KD9101-8>

Image database (product images, 2D dimension drawings, 3D models, device circuit diagrams, ...)

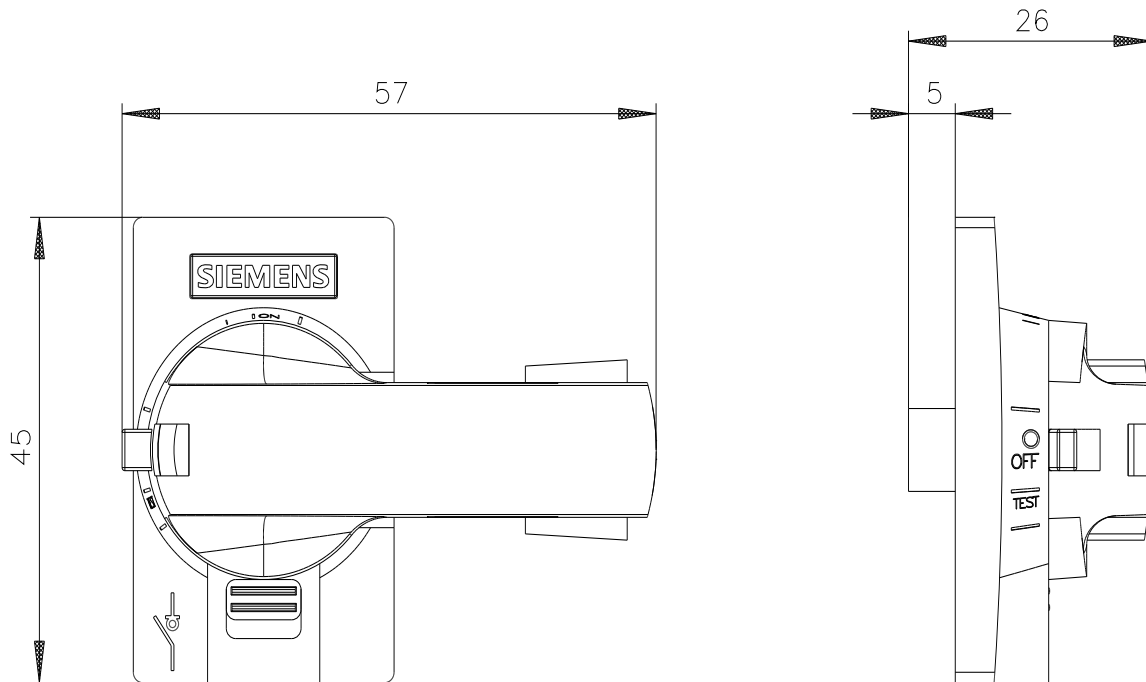
http://www.automation.siemens.com/bilddb/cax_en.aspx?mlfb=3KD9101-8

CAx-Online-Generator

<http://www.siemens.com/cax>

Tender specifications

<http://www.siemens.com/specifications>



last modified:

12/19/2020 